

在使用缝纫机之前请阅读本使用说明书。  
请将本使用说明书放在便于查阅的地方保管。

**ZOJE**  
中捷缝纫机  
SEWING MACHINE

高速电子套结一体机 ZJ1900D/1903D-3-04-V4  
Computer-controlled high speed lockstitch bar tacking machine  
series

使用说明书  
OPERATION MANUAL  
零件手册  
PARTS BOOK

浙江中捷缝纫科技有限公司  
ZOJE SEWING MACHINE CO., LTD.

# 零件手册

## PARTS BOOK

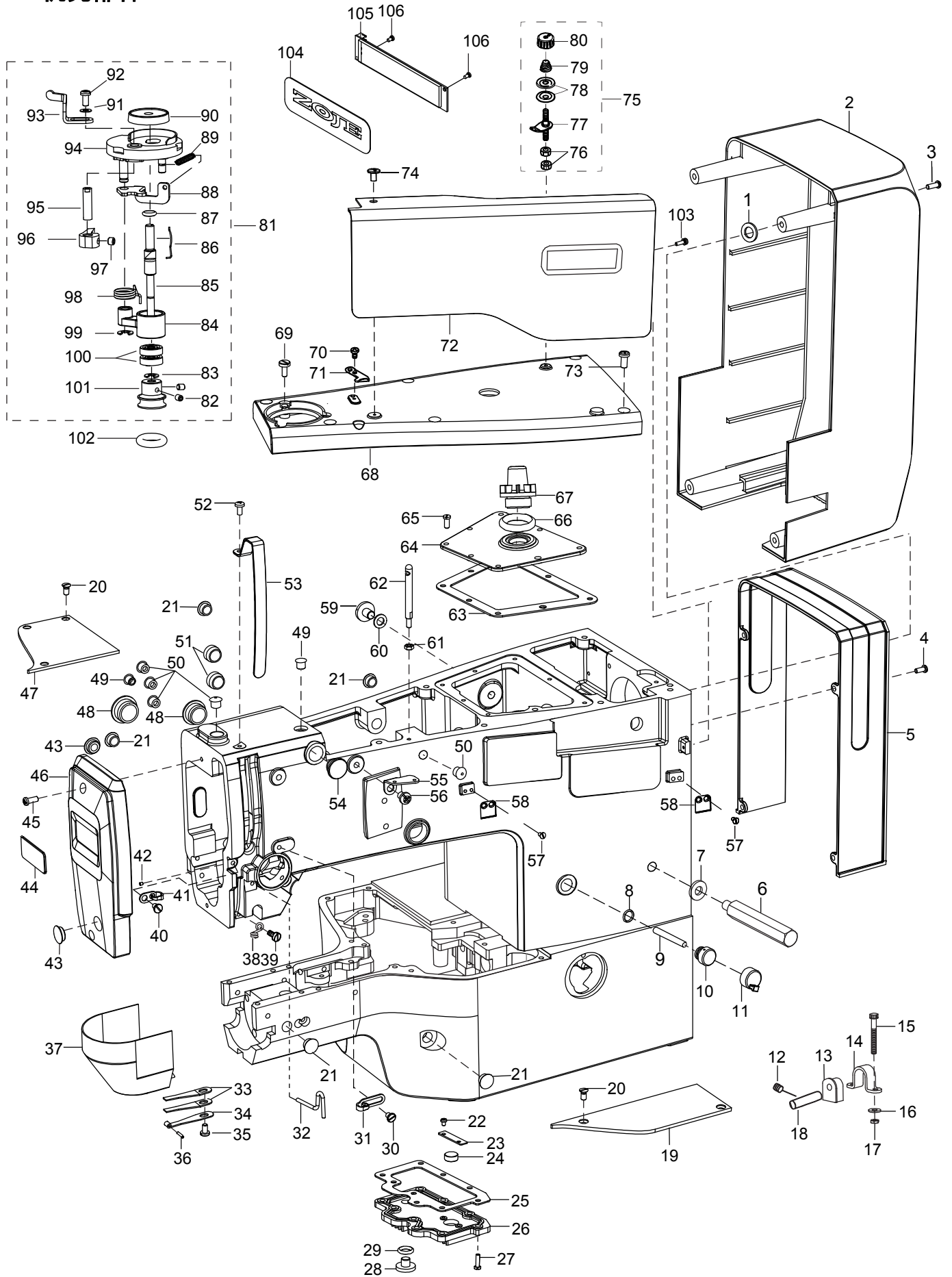
### 目 录

### CONTENTS

1.FRAME&MISCELLANEOUS COMPONENTS.....	1
机壳部件	
2.MAIN SHAFT&NEEDLE BAR COMPONENTS.....	4
挑线刺布部件	
3.SHUTTLE DRIVER SHAFT COMPONENTS.....	7
下轴部件	
4.LIFT PRESSERS&WIPER MECHANISM COMPONENT.....	9
抬压扫线部件	
5.TENSION RELEASE&THREAD TENSION COMPONENTS.....	12
松线部件	
6.TENSION RELEASE&THREAD TRIMMER MECHANISM COMPONENTS.....	14
剪线部件	
7.FEED MECHANISM COMPONENTS.....	17
送料部件	
8.SENSOR COMPONENTS(-04).....	20
自动控制部件(-04)	
9.THREAD STAND COMPONENTS.....	22
线架部件	
10.ACCESSORIES PART COMPONENTS.....	24
附件	
11.1900D SERIES PARTS.....	26
1900D系列零件	
12.1903D-301 PARTS 1.....	28
1903D-301零件1	
13.1903D-301 PARTS 2.....	30
1903D-301零件2	

# 1.FRAME&MISCELLANEOUS COVER COMPONENTS

## 机壳部件



## 1. 机壳部件FRAME&MISCELLANEOUS COVER COMPONENTS

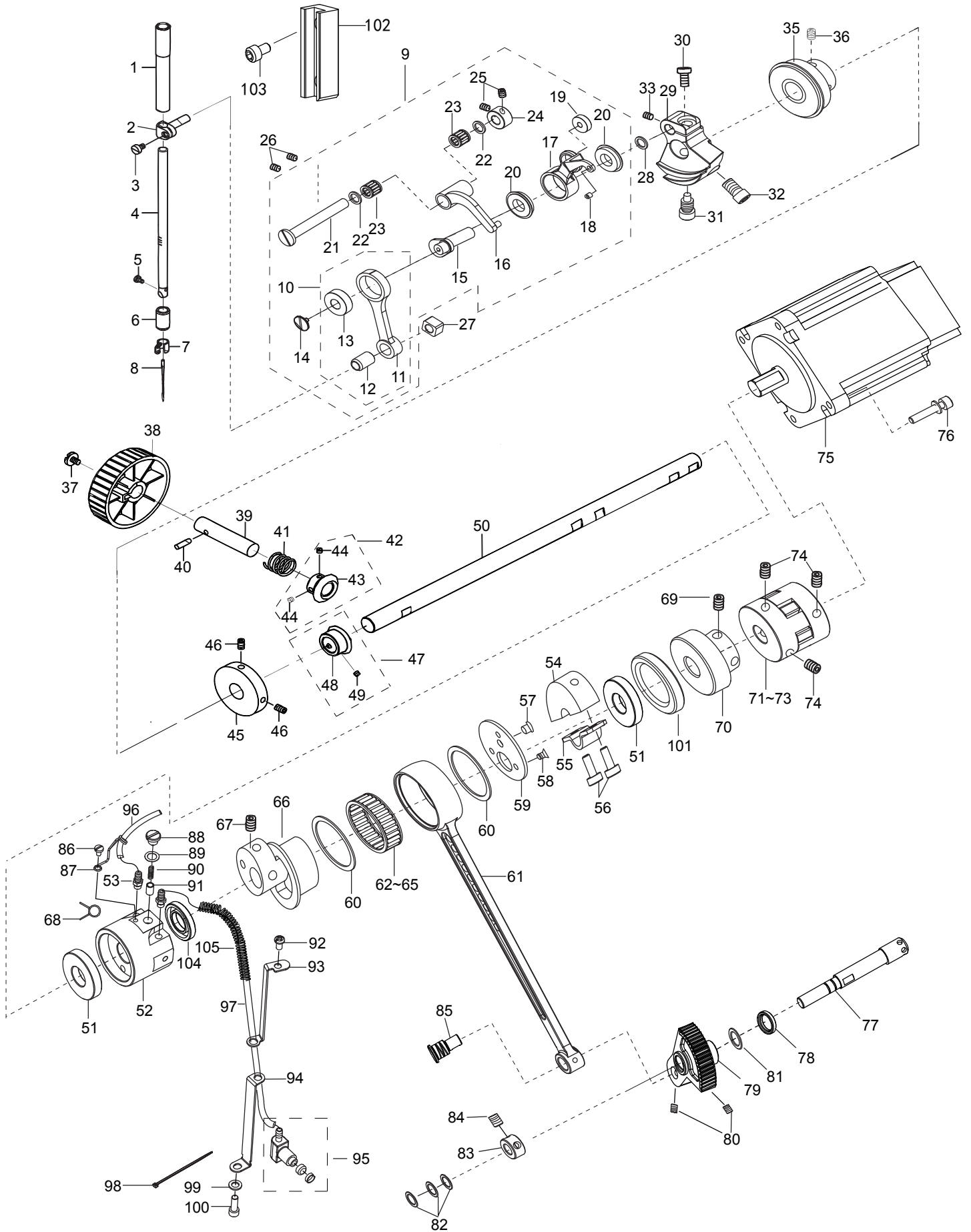
序号 Ref.No.	件号 Part No.	名 称	Description	数量 QTY
1	10011135	垫片	STOPPER	1
2	10062668	后罩	MOTOR COVER	1
3	10010900	螺钉 SM11/64"×40 L=12	SCREW SM11/64"×40 L=12	4
4	10000348	M4×10螺钉	SCREW M4×10	4
5	10062670	后装饰板	THE BACK PANEL	1
6	10052703	手柄	HAND SHANK	2
7	10028127	橡胶垫 $\phi 8 \times \phi 20 \times 3.5$	RUBER WASHER $\phi 8 \times \phi 20 \times 3.5$	2
8	10012139	O形圈	RUBBER RING	1
9	10021559	销	PIN	1
10	10002483	排气阀	EXHAUST VALVE	1
11	10008771	橡胶盖	RUBBER COVER	1
12	10011232	螺钉	SCREW	2
13	10011137	机头胶垫	HINGE RUBBER	2
14	10011160	支撑固定架	BED HINGE	2
15	10011147	螺钉	SCREW	4
16	10003076	垫圈	WASHER	4
17	10003084	螺母	NUT	8
18	10011141	销	PIN	2
19	20023935	底板右盖板	THE RIGHT BED PANEL	1
20	10011559	螺钉	SCREW	5
21	10011136	橡胶塞 $\phi 10.5$	RUBBER PLUG $\phi 10.5$	4
22	10000040	螺钉	SCREW	2
23	10001242	垫板	PLATE	1
24	10001096	磁铁	MAGNET	1
25	10037232	齿轮箱盖密封垫	GEAR BOX SEAL GASKET	1
26	10037233	齿轮箱底盖	GEAR BOX COVER	1
27	10000560	螺钉 SM11/64"×40 L=16	SCREW SM11/64"×40 L=16	9
28	10008783	螺钉	SCREW	1
29	10010204	O形圈	RUBBER RING	1
30	10011142	螺钉	SCREW	1
31	10008940	右线钩	THE RIGHT THREAD GUIDE	1
32	10037247	拦线钩	L-SHAPED THREAD GUIDE	1
33	10010807	梭床罩弹簧B	HOOK COVER PRESSER SPRING B	1
34	10011420	梭床罩弹簧A	HOOK COVER PRESSER SPRING A	1
35	10010808	螺钉	SCREW	1
36	10010815	销	PIN	1
37	20023956	梭床罩焊合	SHUTTLE RACE CAP	1
38	10011139	下过线勾	THREAD GUIDE	1
39	10010668	螺钉	SCREW	1
40	10011142	螺钉	SCREW	1
41	10014281	中线钩	THE MID THREAD GUIDE	1
42	10011887	螺钉	SCREW	1
43	10011099	橡胶塞 $\phi 12.5$	RUBBER PLUG $\phi 12.5$	2
44	10062054	面板装饰牌	PLATE	1
45	10011150	螺钉	SCREW	2
46	20023811	面板	FACE COVER	1
47	20023934	底板左盖板	THE LEFT BED PANEL	1
48	10011146	橡胶塞 $\phi 20.8$	RUBBER PLUG $\phi 20.8$	2
49	10011188	橡胶塞 $\phi 7.4$	RUBBER PLUG $\phi 7.4$	2
50	10010587	橡胶塞 $\phi 8.5$	RUBBER PLUG $\phi 8.5$	5
51	10014279	橡胶塞 $\phi 15.3$	RUBBER PLUG $\phi 15.3$	2
52	10013603	螺钉 SM11/64"×40 L=8	SCREW SM11/64"×40 L=8	1
53	10062652	挑线杆防护罩	BALANCE COVER	1
54	10011190	橡胶塞 $\phi 14.5$	RUBBER PLUG $\phi 14.5$	1

## 1. 机壳部件FRAME&MISCELLANEOUS COVER COMPONENTS

序号 Ref.No.	件号 Part No.	名 称	Description	数量 QTY
55	10011200	上过线板	THREAD GUIDE PLATE	1
56	10011158	螺钉	SCREW	1
57	10053628	M3×4.35螺钉	SCREW M3×4.35	4
58	10062675	卡紧扣	THE LOCKING PLATE	2
59	10051608	螺钉 SM5/16"×24 L=10橡胶	SCREW SM5/16"×24 L=10	1
60	10009988	垫 φ7.8×φ13.5×1.3 M4螺	RUBBER WASHER φ7.8×φ13.5×1.3	1
61	10009471	母 (GB/T 6170-2000)	NUT (GB/T 6170-2000)	1
62	10062648	过线柱	THREAD GUIDE	1
63	10037218	上密封盖板垫	UPPER SEAL GASKET	1
64	10051609	上密封盖板	UPPER SEAL PLATE	1
65	10013567	螺钉	SCREW	7
66	10008939	O形圈	RUBBER RING	1
67	10012438	油窗	OIL TANK	1
68	20023812	上盖	TOP COVER	1
69	10011101	螺钉	SCREW	3
70	10011143	螺钉	SCREW	1
71	10011149	绕线切刀	THREAD CUTTER	1
72	10062669	右装饰板	THE RIGHT PANEL	1
73	10011161	螺钉	SCREW	6
74	10012599	螺钉 M5×7.8	SCREW M5×7.8	2
75	20024033	夹线器组件	BOBBIN THREAD TENSION ASM	1
76	10004507	螺母	NUT	2
77	10004504	中过线板组件	BOBBIN THREAD TENSION ROD ASM	1
78	10004393	夹线板	THEAD TENSION DISK	2
79	10004391	弹簧	CONNECTING ROD SPRING	1
80	10062660	夹线螺母组件	NUT	1
81	10002558	绕线器	BOBBIN WINDER ASM	1
82	10002896	螺钉	SCREW	2
83	10007895	挡圈	E-RING	1
84	10027388	摆动连杆	BOBBIN WINDER SHAFT COMPL BOBBIN	1
85	10031163	梭芯卷绕轴	SHAFT	1
86	10031058	弹簧	SPRING	1
87	10027399	O型圈	RUBBER RING	1
88	10027391	控制板	ADJUSTING PLATE	1
89	10027394	弹簧	SPRING	1
90	10027390	卷绕轴垫	CUSHING	1
91	10003122	垫圈	WASHER	1
92	10009455	螺钉	SCREW	1
93	10030709	卷绕手柄	BOBBIN LEVER	1
94	10031087	梭芯卷绕体组件	BOBBIN FITING BASIS COMPL BOBBIN	1
95	10006152	绕线凸轮轴	CAM SHAFT	1
96	10027395	绕线定位块	BOBBIN WINDER REGULATOR	1
97	10012014	螺钉	SCREW	1
98	10004501	弹簧	SPRING	1
99	10013038	挡圈	E-RING	1
100	10003517	625ZZ轴承	BEARING	1
101	10027392	绕线轮	BOBBIN WINDER WHEEL	1
102	10011097	橡胶轮	RUBBER RING	1
103	10011143	M9/64"×40螺钉	SCREWM9/64"×40	1
104	10063819	LOGO板	LOGO	1
105	10064763	LOGO电路板组件	CIRCUIT BOARD ASM	1
106	10063815	螺钉	SCREW	1

## 2.MAIN SHAFT&NEEDLE BAR COMPONENTS

### 挑线刺布部件



## 2. 挑线刺布部件MAIN SHAFT & NEEDLE BAR COMPONENTS

序号 Ref.No.	件号 Part No.	名称	Description	数量 QTY
1	10028715	轴套	NEEDLE ROD SLEEVE	1
2	10010590	针杆连接柱	NEEDLE BAR CONNECTING COLUMN	2
3	10010643	螺钉	SCREW	1
4	10014277	针杆	NEEDLE BAR	1
5	10011699	螺钉	SCREW	1
6	10028716	轴套	NEEDLE ROD LOWER METAL	1
7	10011701	针杆线钩	THREAD GUIDE	1
8	10023286	机针	NEEDLE DP? #16	1
9	10051398	挑线杆组件	THREAD TAKE UP COMPL	1
10	10007983	针杆连杆组件	NEEDLE BAR CRANK BOD ASM	1
11	10007986	针杆连杆	NEEDLE BAR CRANK ROD	1
12	10005793	针杆连杆轴套	NEEDLE BAR CRANK BOD METAL	1
13	10009777	轴承	BEARING	1
14	10010537	螺钉	SCREW	1
15	10008014	挑线曲柄	NEEDLE BAR CRANK	1
16	10007987	挑线连杆	THREAD TAKE UP CRANK	2
17	10007985	挑线杆	THREAD TAKE UP LEVER	1
18	10004161	挑线杆过线套	THREAD PASS BUSH	1
19	10003591	轴承	BEARING	1
20	10051399	轴承	BEARING	2
21	10007984	挑线连杆销	BALANCE CRANK PIN	1
22	10005786	挡圈	THRUST COLLAR	2
23	10005747	轴承	BEARING	2
24	10005745	挡圈	THRUST COLLAR	1
25	10004482	螺钉	SCREW	2
26	10000314	螺钉	SCREW	2
27	10011194	针杆连接柱滑块	SQUARE BLOCK	1
28	10011622	挡圈	THRUST COLLAR	1
29	10052054	针杆曲柄	COUNTER EIGHT	1
30	10014272	螺钉	SCREW	1
31	10014282	螺钉	SCREW	1
32	10014284	螺钉	SCREW	1
33	10022863	螺钉 M6×0.75 L=6	SCREW M6×0.75 L=6	1
35	10051684	轴承组件_6004	BEARING ASM 6004	1
36	10000314	螺钉M6×8	SCREW M6×8	2
37	10011225	螺钉	SCREW	1
38	10011603	手轮	PULLEY	1
39	10011231	手轮轴	HAND PULLEY SHAFT	1
40	10006073	销	PIN	1
41	10011242	弹簧	SPRING	1
42	10021312	弧齿锥齿轮组件_手轮轴	GEAR ASM.	1
43	10011235	齿轮	GEAR	1
44	10011226	螺钉	SCREW	2
45	10002392	绕线主动轮	BTW DRIVING WHEEL	1
46	10011223	螺钉	SCREW	2
47	10027407	上轴齿轮组件	GEAR ASM.	1
48	10002413	齿轮	GEAR	1
49	10011226	螺钉	SCREW	2
50	10062903	上轴	MAIN SHAFT	1
51	10010507	油封	OIL SEAL	2

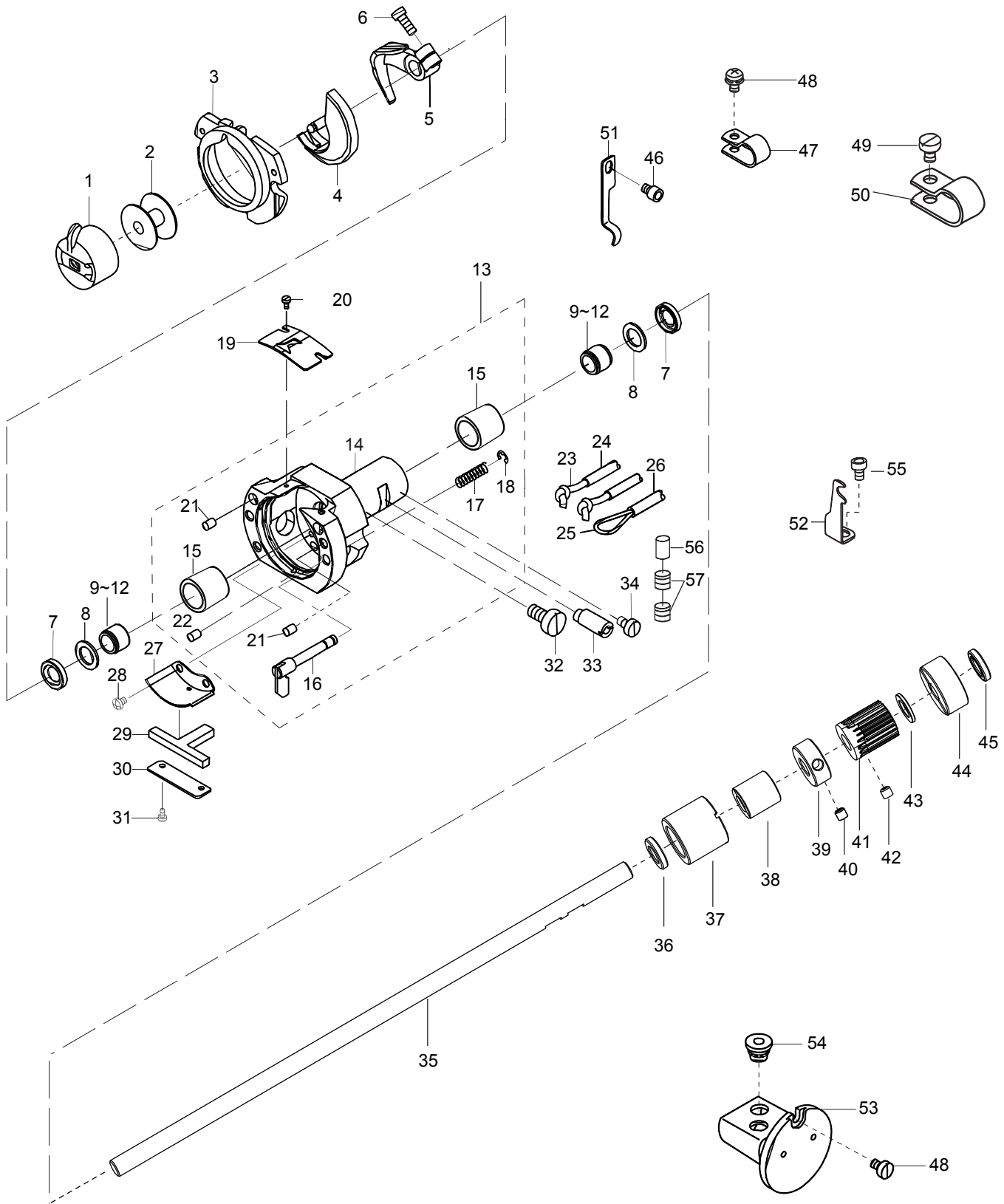
## 2. 挑线刺布部件MAM SHAFT & NEEDLE BAR COMPONENTS

序号 Ref.No.	件号 Part No.	名 称	Description	数量 QTY
52	10037249	油泵体组件	OIL PUMP ASM	2
53	10008779	油管接头	JOINT	1
54	10014337	上轴平衡轮	CRANK BALANCER	1
55	10014332	上轴平衡轮固定板	CRANK BALANCER FIX PLATE	1
56	10011644	螺钉	SCREW	2
57	10014266	橡胶塞	PUBBER PLUG	1
58	10009626	螺钉	SCREW	3
59	10014268	大连杆滚针轴承盖板	CRANK ROD SUPPORT PLATE	1
60	10014269	挡圈	RETAINING COLLAR	2
61	10037219	大连杆	CRANK ROD	1
62	10023508	轴承	BEARING	1
63	10023509	轴承	BEARING	1
64	10023510	轴承	BEARING	1
65	10023511	轴承	BEARING	1
66	10014265	偏心轮	ECCENTRIC WHEEL	1
67	10009187	螺钉	SCREW	2
68	10012160	弹簧	SPRING	2
69	10000314	M6×8螺钉	SCREW M6×8	2
70	10051865	6204轴承组件	BEARING ASM 6204ZZ	1
71	10012615	电机端联轴器	COUPLING	1
72	10011227	传动连接橡胶块	RELAX	1
73	10012613	上轴端联轴器	COUPLING	1
74	10009187	螺钉	SCREW	4
75	10053840	上轴电机-04	AC SERVO MOTOR-04	1
76	10000157	螺钉	SCREW	4
77	10037229	销	PIN	1
78	10064708	油封	OIL SEAL	1
79	10037230	齿轮	BEARING	2
80	10011232	螺钉	SCREW	2
81	10037231	垫圈	WASHER	1
82	10010146	O形圈	RUBBER RING	3
83	10004600	挡圈	RETAINING COLLAR	1
84	10013590	螺钉	SCREW	2
85	10037228	销	PIN	1
86	10002129	螺钉	SCREW	1
87	10037260	油管定位架	FILLER PIPE HOLDER	1
88	10013232	螺钉	SCREW	1
89	10037261	防油纸垫	PAPER SPACER	1
90	10013238	活塞弹簧	SPRING	1
91	10012609	柱塞	PLUNGER	1
92	10011570	螺钉	SCREW	1
93	10037221	上油管架	UPPER FILLER PIPE BRACKET	1
94	10037222	下油管架	LOWER FILLER PIPE BRACKET	1
95	10000471	油管二接头	FILLER PIPE JOINT ASM.	1
96	10007800	φ3×φ5油管	φ3×φ5 FILLER PIPE	50mm
97	10007800	φ3×φ5油管	φ3×φ5 FILLER PIPE	310mm
98	40000363	扎带	BINDING TAPE	3
99	10006115	垫圈	WASHER	1
100	10013616	螺钉	SCREW	1
101	10039126	油封衬套	OIL SEAL METAL	1
102	10037240	滑块槽	SQUARE BLOCK TROUGH SCREW	1
103	10014477	螺钉	SCREW	2
104	10013448	油封	OIL SEAL	1
105	10051546	弹簧	SPRING	1



### 3.SHUTTLE DRIVER SHAFT COMPONENTS

#### 下轴部件

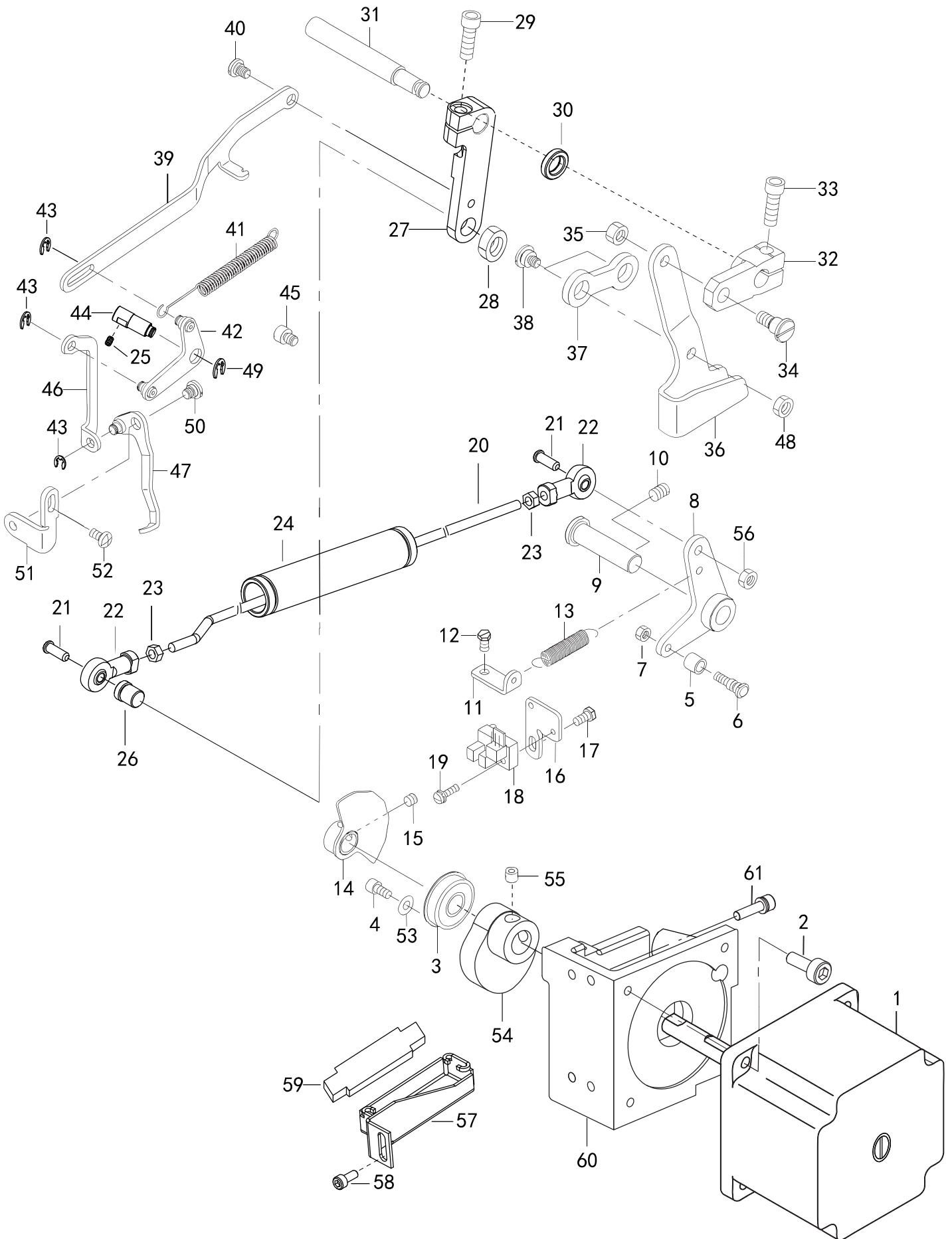


### 3. 下轴部件SHUTTLE DRIVER SHAFT COMPONENTS

序号 Ref.No.	件号 Part No.	名 称	Description	数量 QTY
1	10003781	梭壳	BOBBIN CASE ASM	1
2	10004592	锁芯	BOBBIN	1
3	10010738	梭床盖组件	SHUTTLE RACE RING ASM	1
4	10025068	摆梭	INNER HOOK	1
5	10004609	摆梭托	SHUTTLE DRIVER	1
6	10004611	螺钉	SCREW	1
7	10014297	油封	SHUTTLE OIL SEAL	2
8	10014295	挡圈	SHUTTLE BEARING RING	2
9	10023516	轴承	BEARING	2
10	10023517	轴承	BEARING	2
11	10023518	轴承	BEARING	2
12	10023519	轴承	BEARING	2
13	10022792	梭床小组件	SHUTTLE ASM.	1
14	10014248	梭床	SHUTTLE	1
15	10008576	梭床衬套	SHUTTLE BUSH	1
16	10004261	梭床锁紧钩组件	INNER HOOK PRESSER ASM.	2
17	10004495	弹簧	SPRING	2
18	10009669	挡圈	E-RING	2
19	10004596	梭床簧	SHUTTLE UPPER SPRING	1
20	10010744	螺钉	SCREW	2
21	10011077	毛毡	SHUTTLE OIL FELT	1
22	10011427	毛毡	SHUTTLE OIL FELT	1
23	10008103	油线	OIL WICK	2
24	10007795	油管	FILLER PIPE	2
25	10008103	油线	OIL WICK	1
26	10007795	油管	FILLER PIPE	1
27	10007926	油线夹板	SHUTTLE LUBRICATING PLATE	1
28	10010797	螺钉	SCREW	2
29	10010800	毛毡	SHUTTLE ONCE THROUGH OIL FELT	1
30	10010799	毛毡压板	ONCE THROUGH OIL LFELT PRESSER	1
31	10010744	螺钉	SCREW	2
32	10010817	螺钉	SCREW	1
33	10011426	螺钉	SCREW	1
34	10011425	螺钉	SCREW	1
35	10037224	下轴	LOWER SHAFT	1
36	10014297	油封	OIL SEAL	1
37	10037225	下轴前衬套	SLEEVE A	1
38	10037273	轴承	NUT	1
39	10037298	挡圈	WASHER	1
40	10013590	螺钉	SCREW	2
41	10037223	齿轮	GEARED	1
42	10011232	螺钉	SCREW	2
43	10037227	垫圈	WASHER	1
44	10037226	下轴后轴套	SLEEVE B	1
45	10014297	油封	OIL SEAL	1
46	10005107	螺钉	SCREW	1
47	10008228	SN-3A夹头	CABLE CLIP	1
48	10012892	螺钉	SCREW	2
49	10011101	螺钉	SCREW	1
50	10008229	SL-12N夹头	CABLE CLIP	1
51	10014294	油管限位板	OIL_PIPE HOLDER	1
52	10014288	油管限位板	TUBE_CLAMP	1
53	10021601	油窗组件	OIL TANK ASM.	1
54	10014296	油塞	RUBBER BUSH	2
55	10010685	螺钉	SCREW	1
56	10011916	油量调节销	NYLON BUSH 4.6×10	1
57	10011232	螺钉 M6×6	SCREW M6×6	2

# 4.LEFT PRESSERS&WIPER MECHANISM COMPONENTS

## 抬压扫线部件



#### 4. 抬压扫线部件LIFT PRESSER&WIPE MECHANISM COMPONENTS

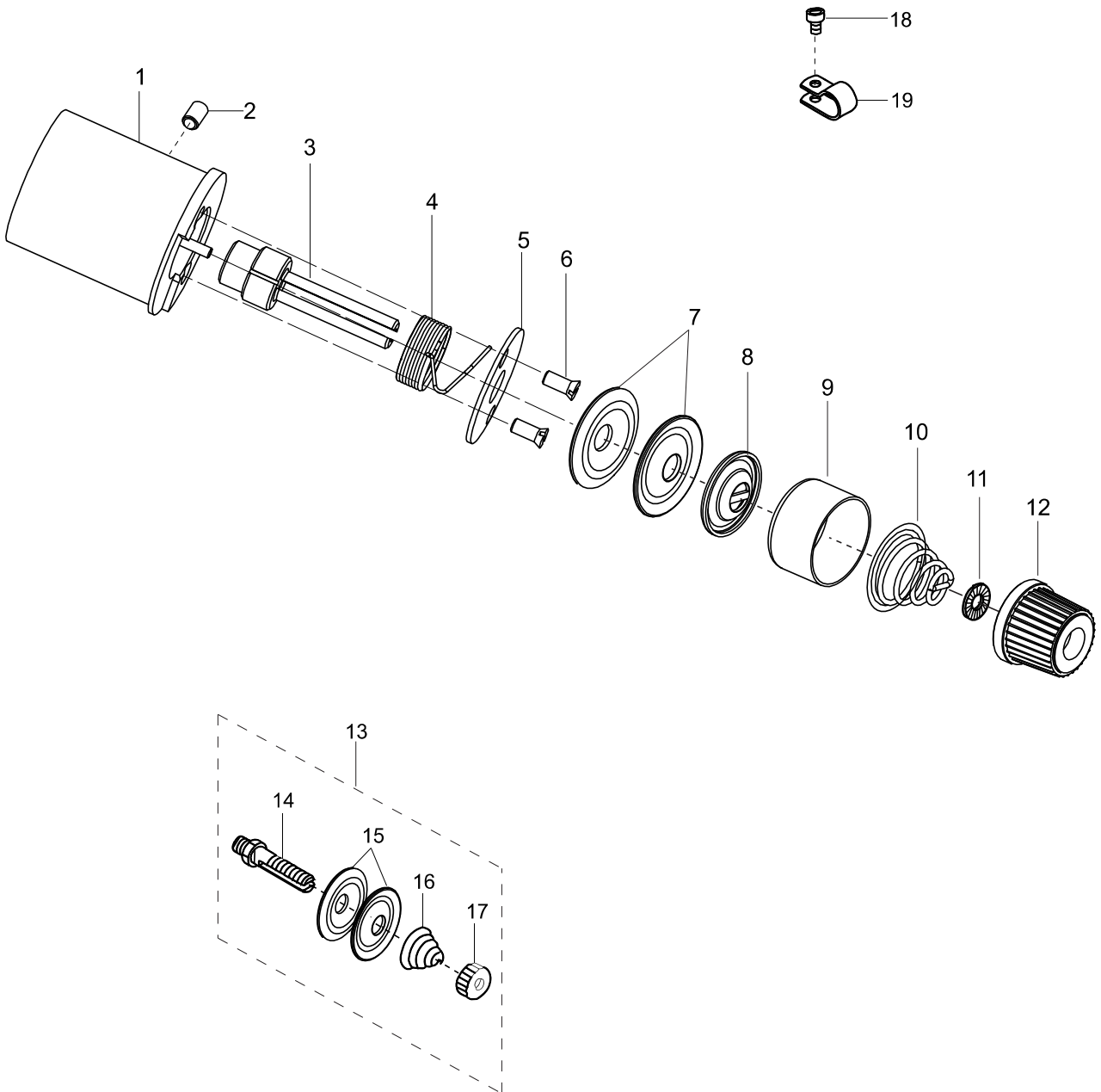
序号 Ref.No.	件号 Part No.	名称	Description	数量 QTY
1	10062819	抬压电机-04	PRESSER LIFTING MOTOR-04	1
2	10000157	螺钉	SCREW	4
3	10003601	轴承	BEARING	1
4	10010668	螺钉	SCREW	1
5	10028245	销套	NEEDLE CAM ROLLER A	1
6	10014342	销	UTT CAM ROLLER SHAFT	1
7	10014354	螺母	NUT	1
8	10037252	抬压曲柄组件	LIFTER LINK A ASM THREAD	1
9	10052771	抬压曲柄轴	TRIMMER SHAFT	1
10	10011232	螺钉	SCREW	1
11	10014343	拉板	SIDE COVER THREAD GUIDE	1
12	10011005	螺钉M4=9	SCREW M4 L=9	1
13	10014356	弹簧	SPRING	1
14	10014293	抬压电机传感片组件	SENSOR SLIT	1
15	10011518	螺钉	SCREW	2
16	10014291	抬压传感器安装板	SENSOR_INSTALLING_BASE	1
17	10009486	螺钉SM11/64"×40 L=8.5	SCREW SM11/64"×40 L=8.5	1
18	10026622	抬压传感器-04	PHOTO SENSOR-04	1
19	10010667	螺钉组件	SCREW	1
20	10037234	抬压拉杆	LIFTER LINK B	1
21	10037250	螺钉	SCREW	2
22	10011586	万能接头组件	UNIVERSAL CONTACT JOINT	2
23	10003075	螺母	NUT	2
24	10037235	抬压拉杆套	PULL-ROD BUSH	1
25	10005295	螺钉	SPRING	1
26	10037238	螺钉	SCREW	1
27	10037236	拨线曲柄	CONNECTING ARM	1
28	10037825	螺母	NUT	1
29	10010735	螺钉	SCREW	1
30	10037237	垫圈	WASHER	1
31	10011914	曲柄轴	CONNECTING SHAFT LOWERING	1
32	10014340	抬压驱动曲柄	ARM	1
33	10010735	螺钉	SCREW	1
34	10010674	螺钉	SCREW	1
35	10010725	螺母	NUT	1
36	10014355	抬压传动板	LOWERING FOOT CONNECTING	1
37	10010684	抬压脚定位连杆	LINK	1
38	10010727	螺钉	SCREW	2
39	10014346	扫线调节杆	WIPER CONNECTING LINK	1
40	10004594	螺钉	SCREW	1
41	10004604	弹簧	SPRING	1
42	10037255	扫线连接板组件	WIPER_CONNECTING_ARM_ASM	1
43	10009653	卡簧	RETAINING RING	3
44	10037257	扫线曲柄支撑销	SHAFT	1
45	10014345	螺钉	SCREW	1
46	10014353	扫线拉板	WIPER_CONNECTING_PLATE	1
47	10014348	扫线杆组件	WIPER C ASM	1
48	10010725	螺母	NUT	1
49	10007859	卡簧	RETAINING RING	1

#### 4. 抬压扫线部件LIFT PRESSER&WIPE MECHANISM COMPONENTS

序号 Ref.No.	件号 Part No.	名 称	Description	数量 QTY
50	10004593	螺钉	SCREW	1
51	10014341	扫线固定架	WIPER BASE PLATE	1
52	10010668	螺钉	SCREW	1
53	10010741	垫圈	WASHER	1
54	10014287	胎压凸轮	LIFT TO PRESS THE CAM	1
55	10011232	螺钉	SCREW	2
56	10010133	螺母	NUT	1
57	10053640	胎压凸轮油槽	GREASE SLOT	1
58	10010685	螺钉	SCREW	2
59	10028676	毛毡	OIL FLET	1
60	10062814	电机固定架	MOTOR HOLDER	1
61	10000157	螺钉M5 L=18.5	SCREW M5 L=18.5	4

# 5.THREAD TENSION COMPONENTS

## 松线器组件

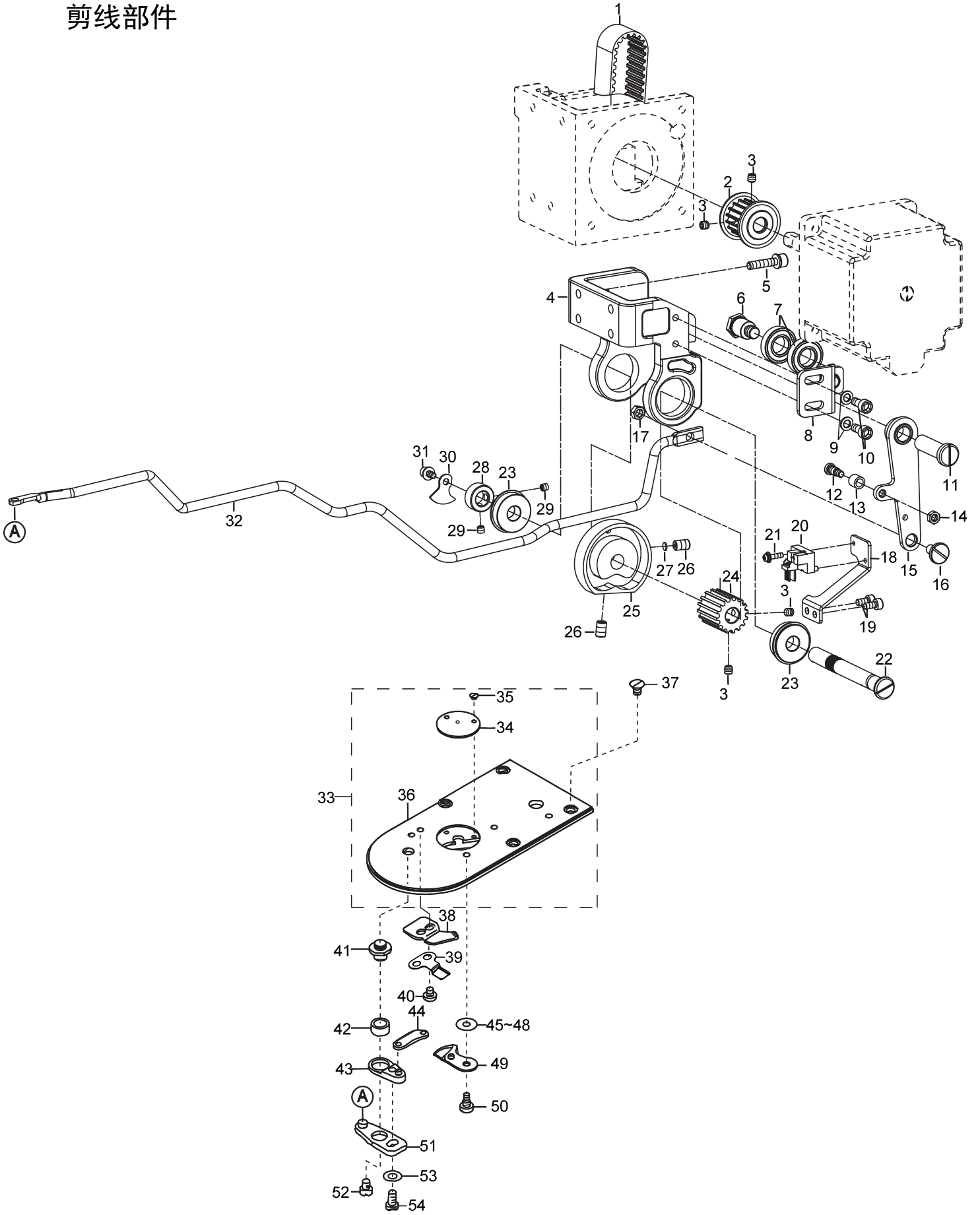


### 5、松线部件THREAD TENSION COMPONENTS

序号 Ref.No.	件号 Part No.	名 称	Description	数量 QTY
1	10056036	电磁铁组件	THREAD TENSION ELECTROMAGNET	1
2	10026903	螺钉	SCREW	1
3	10042941	夹线螺钉	SCREW	1
4	10039203	弹簧	SPRING	1
5	10037243	锁紧块	LOCK PLATE	1
6	10052062	螺钉	SCREW	2
7	10005489	过线板	THREAD TENSION DISK	2
8	10004625	松线板	THREAD TENSION DISK PRESSER	1
9	10004598	夹线簧座	TENSION NUT	1
10	10004626	弹簧	SPRING	1
11	10004633	夹线制动板	ROTATING STOPPER	1
12	10062661	夹线螺母	THREAD TENSION NUT	1
13	10011493	夹线组件	FIRST THREAD TENSION ASM	1
14	10004666	螺钉	SCREW	1
15	10004393	夹线板	THREAD TENSION DISK	2
16	10004669	弹簧	SPRING	1
17	10004664	夹线螺母	TENSION NUT	1
18	10010685	螺钉	SCREW	2
19	10008228	SN-3A夹头	CABLE CLIP	3

# 6.THREAD TRIMMER MECHANISM COMPONENTS

## 剪线部件





## 6. 剪线部件THREAD TRIMMER MECHANISM COMPONENTS

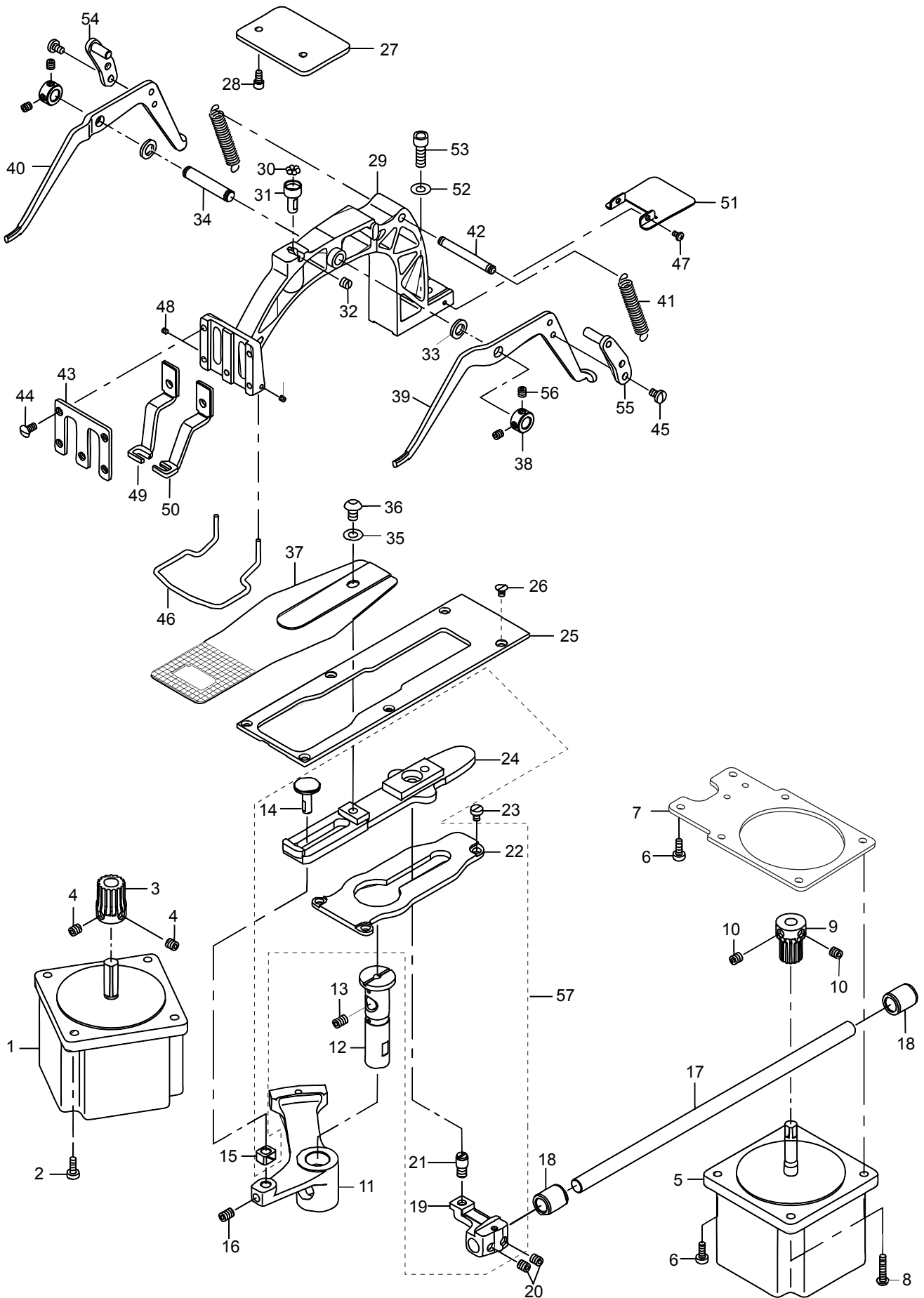
序号 Ref.No.	件号 Part No.	名称	Description	数量 QTY
1	10062809	剪线同步带	TRIMMING TIMING BELT	1
2	10062811	剪线主动带轮	ACTIVE SYNCHRONOUS PULLEY	1
3	10012162	螺钉 M5×5	SCREW M5×5	4
4	10062813	同步带轮安装座	SYNCHRONOUS PULLEY BASE	1
5	10000157	螺钉组件 M5×21	SCREW M5×21	4
6	10037642	销	SHOULDER SCREW	1
7	10012777	轴承	BEARING	2
8	10062816	带轮支紧调节板	TENSION PLATE	1
9	10006115	垫圈	WASHER	2
10	10014210	M5×12螺钉	SCREW M5×1	2
11	10027364	销	PIN	1
12	10014342	销	PIN	1
13	10034929	销套	NEEDLE CAM ROLLER	1
14	10014354	64"×40螺母	NUT 64"×40	1
15	10014339	剪线曲柄	CRANK	1
16	10027367	64"×28螺钉	SCREW 64"×28	1
17	10010133	螺母	NUT	1
18	10062817	剪线安全传感器座螺钉	THE SENSOR MOUNTING PLATE	1
19	10000348	M4×8螺钉	SCREW M4×8	2
20	10053621	抬压传感器	PHOTO SENSOR	1
21	10010667	传感器螺钉组件	SCREW COMPONENTS	1
22	10062812	剪线凸轮轴	AXIS	1
23	10050516	轴承_6000NR-2RS_BOM剪	BEARING_6000NR-2RS_BOM	2
24	10062810	线驱动轴带轮	BELT PULLEY	1
25	10065660	剪线凸轮	TRIMMING CAM	1
26	10013465	螺钉 SM1/4"×40 L=10	SCREW SM1/4"×40 L=10	2
27	10023739	剪线凸轮垫	GASKET	1
28	10010803	挡圈	RETAINING COLLAR	1
29	10013590	64"×40螺钉	SCREW 64"×40	2
30	10062815	安全开关感应片	SENSOR SHEET	1
31	10001239	螺钉组件	SCREW ASM	1
32	10062818	剪线拉杆(同步带款) 针	CONNECTION BAR	1
33	10014298	板组件	NEEDLE PATE ASM	1
34	10047532	小针板	NEEDLE HOLE GUIDE	1
35	10011509	螺钉	SCREW	2
36	10008027	针板	NEEDLE PLATE	1
37	10011511	螺钉	SCREW	4
38	10011501	定刀	FIXING KNIFE	1
39	10037254	底线夹线弹簧片	LOWER THREAD CLAMP SPRING	1
40	10011499	螺钉	SCREW	2
41	10011455	螺钉	SCREW	1
42	10011502	动刀杆销衬套簧	THREAD CUTTING LEVER RING	1
43	10010733	动刀曲柄分组件	THREAD CUTTER LEVER ASM	1
44	10011453	动刀连杆钉 垫圈	MOVING KNIFE LINK	1
45	10007183	垫圈(0.5)	WASHER(0.5)	1
46	10007361	垫圈(0.6)	WASHER(0.6)	(1)
47	10007362	垫圈(0.7)	WASHER(0.7)	(1)
48	10007363	垫圈(0.8)	WASHER(0.8)	(1)

## 6. 剪线部件 THREAD TRIMMER MECHANISM COMPONENTS

序号 Ref.No.	件号 Part No.	名 称	Description	数量 QTY
49	10011513	动刀分组	MOVING KNIFE ASM	1
50	10011500	螺钉	SCREW	1
51	10010737	动刀传动杆分组件	THREAD CUTTER LEVER ASM	1
52	10011503	螺钉	SCREW	1
53	10011506	垫圈	WASHER	1
54	10009906	螺钉	SCREW	1

# 7.FEED MECHANISM COMPONENTS

## 送料部件



## 7. 送料部件FEED MECHANISM COMPONENTS

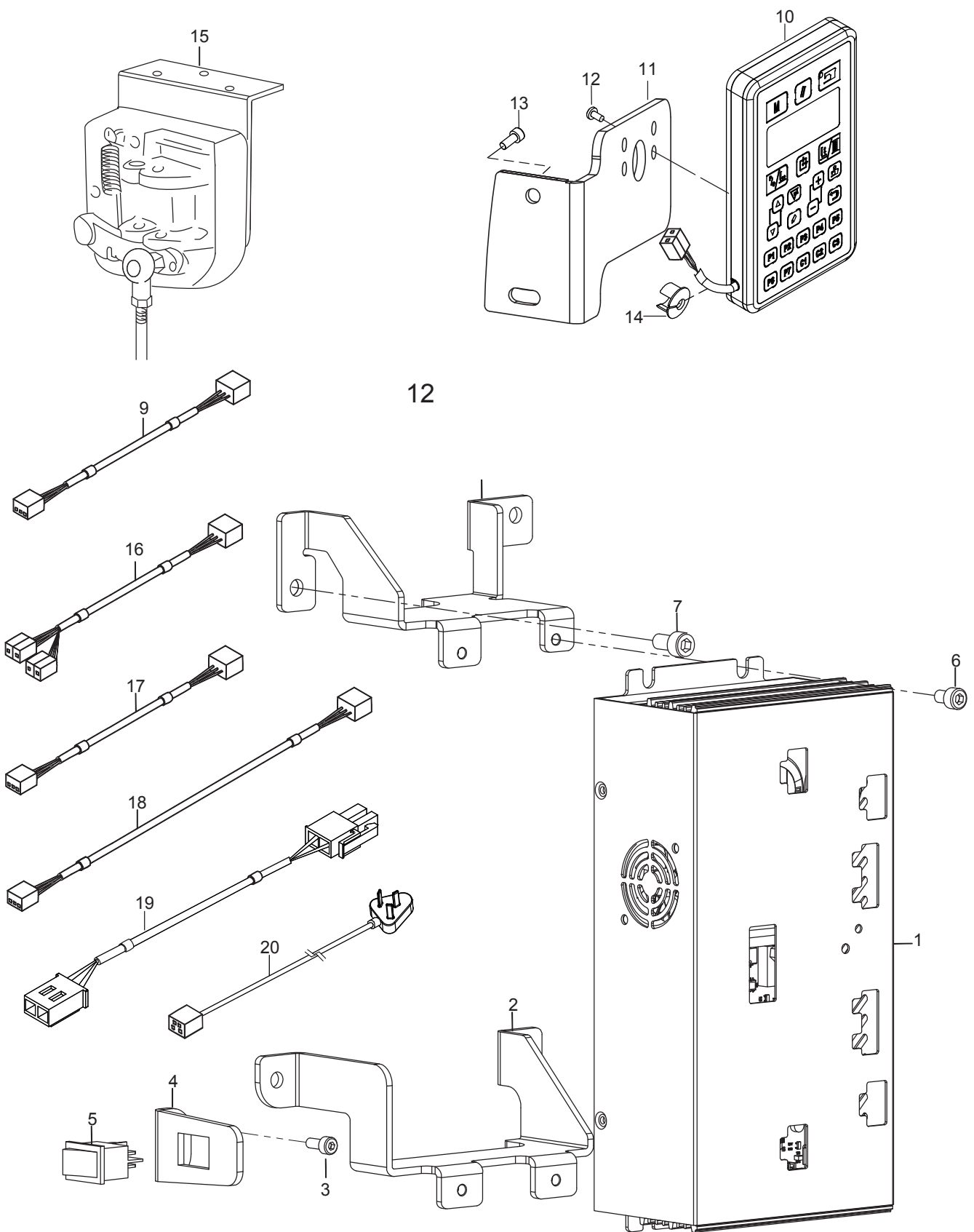
序号 Ref.No.	件号 Part No.	名 称	Description	数量 QTY
1	10053841	闭环X轴步进电机-04	X FEED STEPPING MOTOR	1
2	10011644	螺钉	SCREW	4
3	10011638	齿轮	GEAR	1
4	10011232	螺钉	SCREW	2
5	10053842	闭环Y轴不及电机-04	Y FEED STEPPING MOTOR	1
6	10011644	螺钉	SCREW	2
7	10052686	Y轴步进电机安装板	Y-AXIS MOTOR MOUNTING PLATE	1
8	10000157	螺钉	SCREW	4
9	10011640	齿轮	GEAR	1
10	10011232	螺钉	SCREW	2
11	10014318	齿轮	GEAR	1
12	10011573	X向铰轴	X HINGE AXIS	1
13	10010678	螺钉	SCREW	1
14	10011562	X向滑块轴	SLIDE BLOCK STUD	1
15	10011194	X向滑块	SQUARE BLOCK	1
16	10010678	螺钉	SCREW	1
17	10014326	Y向驱动轴	BUSHING, REAR	1
18	10011571	轴套	BUSHING, REAR	2
19	10011645	Y向驱动轴夹头	LENGTHWISE FEED ARM	1
20	10011642	螺钉	SCREW	2
21	10011568	螺钉	SCREW	1
22	10014325	送料托架支撑板	CLOTH FEED SUPPORT PLATE SCREW	1
23	10011142	螺钉	CLOTH FEED PLATE	3
24	10014321	送料托架	CLOTH FEED PRESSER PLATE SCREW	1
25	10063066	盖板	SUPPORT PLATE	1
26	10011566	螺钉	SCREW	6
27	10014300	送料架支撑板	FEED BRACKET	1
28	10011559	螺钉	SCREW	2
29	10014357	送料架	FEEDING FRAME	1
30	10011574	钢球	BALL	7
31	10011561	钢球座	SUPPORT	1
32	10011564	螺钉	SCREW	1
33	10014394	垫圈	WASHER	2
34	10028963	提升架轴	LIFTING LEVER SHAFT	1
35	10011646	垫圈	WASHER	2
36	10011569	螺钉	SCREW	1
37	10011565	送料板	FEED PLATE	1
38	10004600	挡圈	THRUST COLLAR	2
39	10011454	右压脚提升架	RIGHT LEVER	1
40	10011567	左压脚提升架	LIFT LEVER	1
41	10011558	弹簧	SPRING	2
42	10011456	拉簧支撑柱	SPRING SUSPENSION	1
43	10011557	压脚面板	WORK CLAMP FOOT FACE PLATE	1
44	10011510	螺钉	SCREW	5
45	10009906	螺钉	SCREW	4
46	10011556	护手圈	FINGER GUARDE	1
47	10011357	螺钉	SCREW	2
48	10003383	螺钉	SCREW	2

## 7. 送料部件FEED MECHANISM COMPONENTS

序号 Ref.No.	件号 Part No.	名称	Description	数量 QTY
49	10011508	右压脚	WORK CLAMP FOOT, LEFT WORK	1
50	10011505	右压脚	CLAMP FOOT, RIGHT	1
51	10014359	送料架后托板	HIDDEN_PLATE	1
52	10006013	垫圈	WASHER	1
53	10010735	螺钉	SCREW	1
54	10024705	左压脚提升导向板组件	LEVER DRIVING PLATE ASM.	1
55	10024706	右压脚提升导向板组件	LEVER DRIVING PLATE ASM.	1
56	10013590	螺钉	SCREW	4
57	10025161	送料托架组件	CLOTH FEED PLATE ASM	1

# 8.SENSOR COMPONENTS (-04)

## 自动控制部件 (-04)

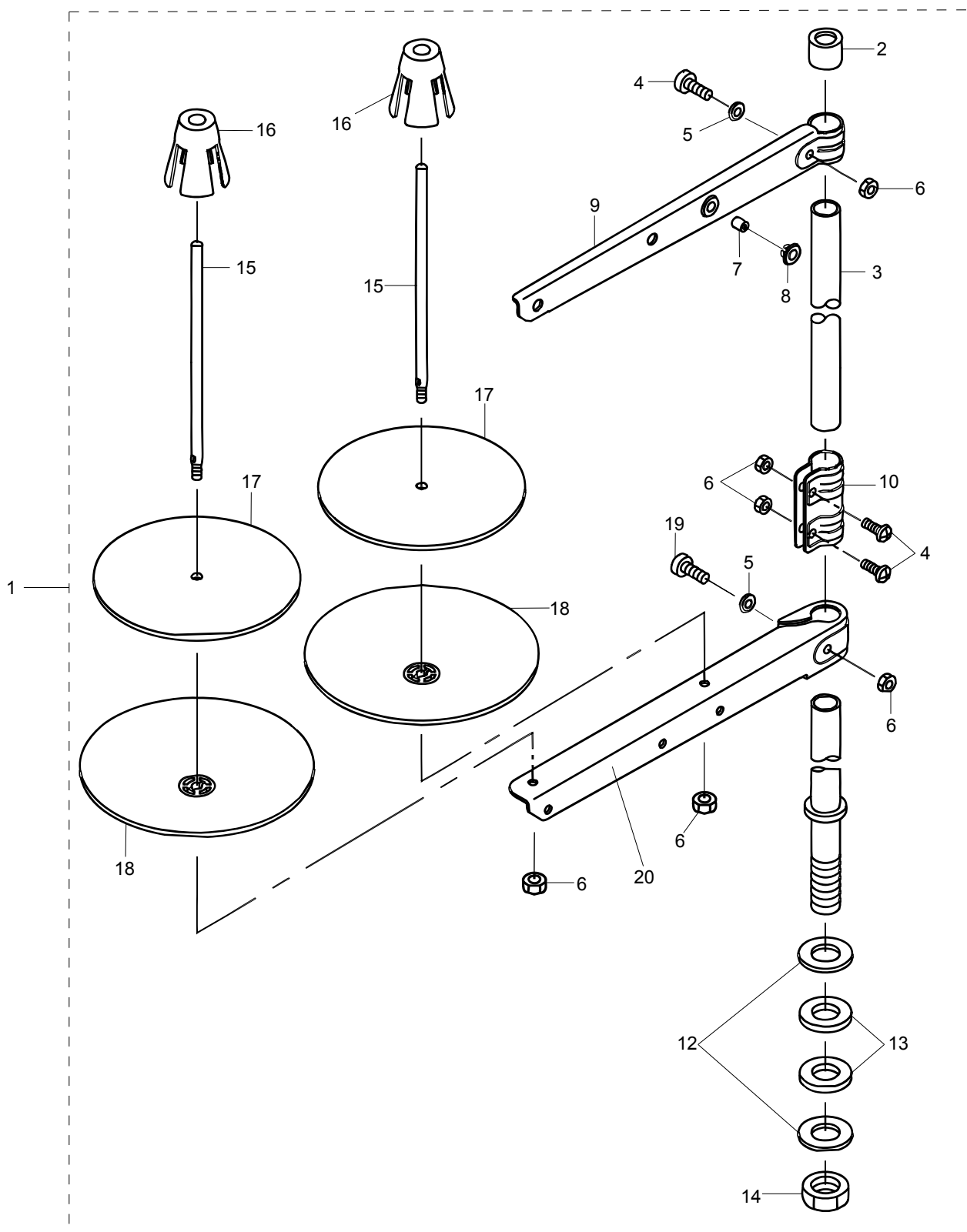


## 8、自动控制部件ELECTRONIC CONTROL SYSTEM COMPONENTS (-04)

序号 Ref.No.	件号 Part No.	名称	Description	数量 QTY
1	10063211	一体机大豪点阵屏电控组件	ELECTRONIC CONTROL SYSTEM ASM	1
2	10057430	电控下支撑板	CONTROL BOX INSTALLING BASE DOWN	1
3	10005041	螺钉 M4×10	SCREW M4×10	2
4	10057431	电源开关安装座	POWER SWITCH INSTALLING BASE	1
5	10057914	船形电源开关	POWER SWITCH	1
6	10012028	螺钉 M5×8	SCREW M5×8	4
7	10011824	螺钉 M6×12	SCREW M6×12	4
8	10057429	电控上支撑板	CONTROL BOX INSTALLING BASE UP	1
9	10053606	抬压传感线	TT SENSOR CABLE ASM	1
10	10062950	大豪点阵屏操作面板	OPERATION PANEL	1
11	10062657	操作面板安装板(1900)	OPERATION PANEL MOUNTING PANEL	1
11	10066318	操作面板安装板(1903)	OPERATION PANEL MOUNTING PANEL	1
12	10012892	M4×9.5螺钉	SCREW M4×9.5	2
13	10007096	M5×10螺钉	SCREW M5×10	2
14	10062653	面板过线塞	RUBBER STOPPER	1
15	10054978	脚踏开关组件	FOOT PEDAL ASM	1
16	10058021	夹线电磁铁转接线缆	CONNECTING CABLES ASM	1
17	10063218	剪线安全传感器	SAFETY SENSOR OF TRIM THREAD	1
18	10063820	操作面板连接线缆	WIRE FOR OPERATION PANEL	1
19	10064194	发光LOGO电路板连接线缆电	WIRE FOR LOGO	1
20	10058510	源开关线缆	WIRE FOR POWER SWITCH	1

# 9.THREAD ST AND COMPONENTS

## 线架部件



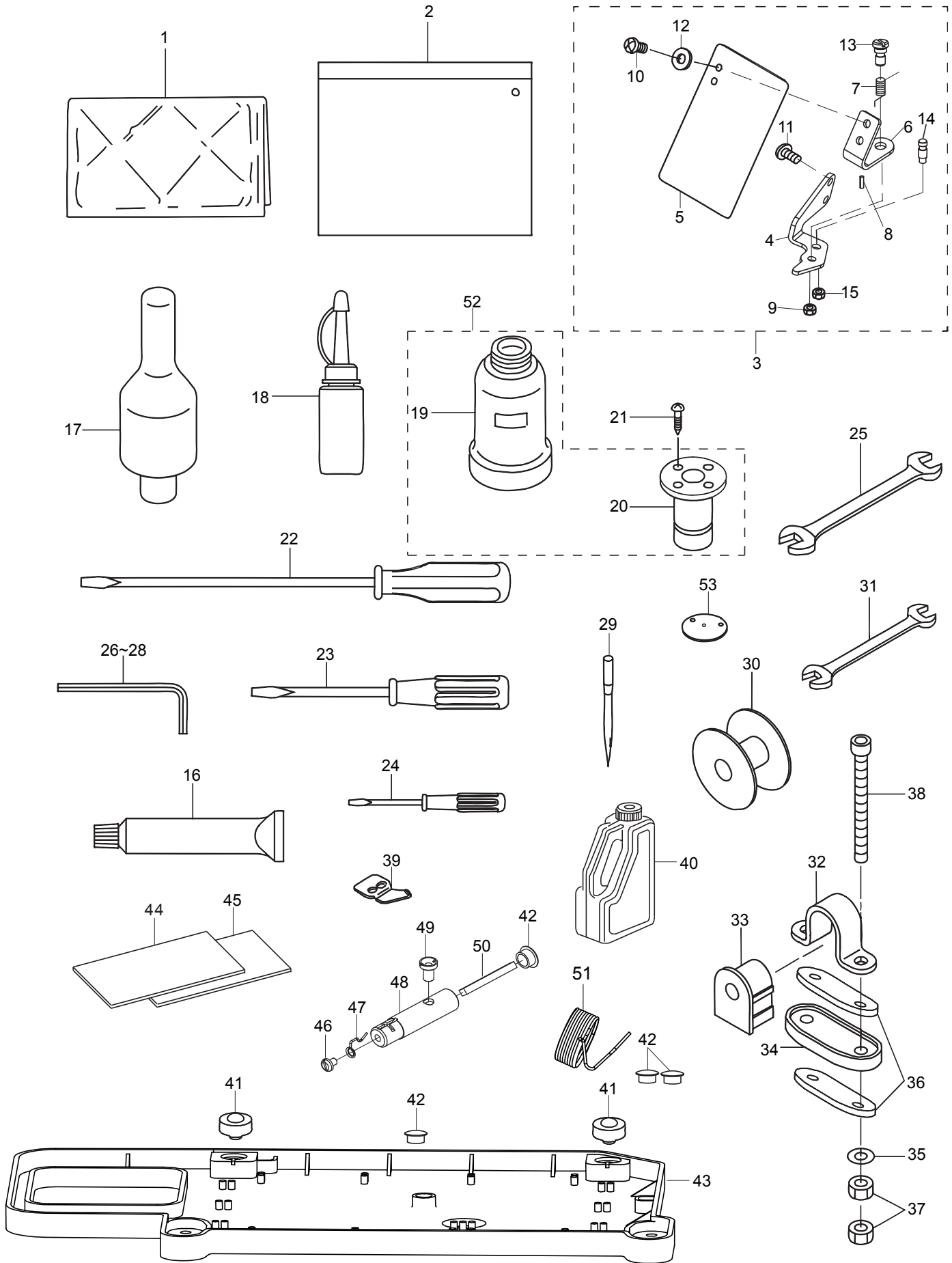


### 9、线架部件THREAD STAND COMPONENTS

序号 Ref.No.	件号 Part No.	名 称	Description	数量 QTY
1	10007130	二线架组件	THREAD STAND ASM	1
2	10004282	撑管套	COLUMN CAP	1
3	10004293	线架上撑管	COLUMN PIPE	1
4	10003301	上过线架螺钉	SCREW	2
5	10003022	上过线架垫圈	WASHER	2
6	10002953	上过线架螺母	NUT	5
7	10004289	过线管	THREAD GUIDE PIPE	2
8	10004285	过线管套	THREAD GUIDE BUSHING	2
9	10004298	上过线架	THREAD HANGER	1
10	10004286	撑管夹	COLUMN PIPE CONNECTOR	1
11	10004291	线架下撑管	COLUMN PIPE	1
12	10004295	线架下撑管垫圈	WASHER	2
13	10004290	垫圈	WASHER	2
14	10002985	下过线架螺母	NUT	1
15	10004288	线轴	SPOOL PIN	2
16	10004287	线盘塑料压块	SPOOL CUSHION	2
17	10004281	线盘软垫	SOFT CUSHION OF THREAD PLARE	2
18	10004299	线盘	THREAD PLATE	2
19	10003312	下过线架螺钉	SCREW	1
20	10004292	下过线架	THREAD HANGER	1

# 10.ACCESSORIES PART COMPONENTS

附件



## 10、附件ACCESSORIE PART COMPONENTS

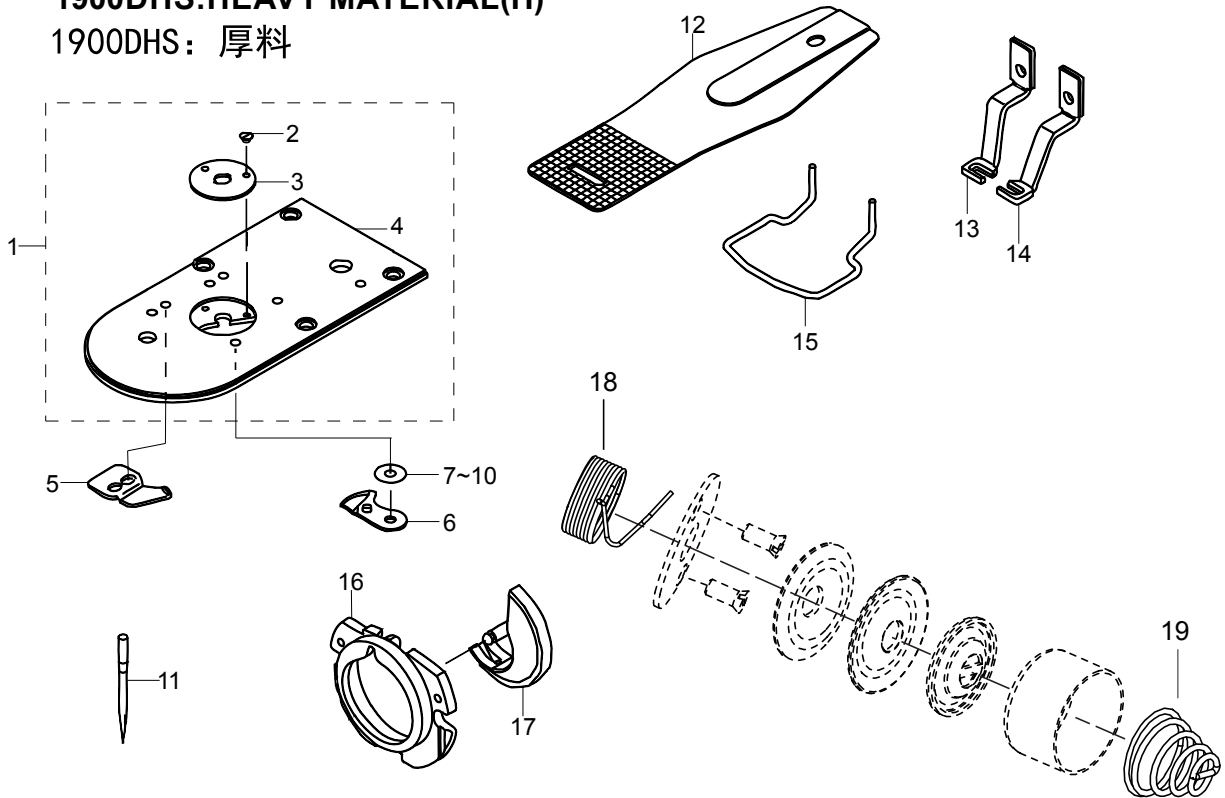
序号 Ref.No.	件号 Part No.	名称	Description	数量 QTY
1	10001177	机头罩	VINYL COVER	1
2	10004971	机头薄膜袋	ACCESSORY BOX	1
3	20004358	眼睛防护罩组件	SAFETY PLATE ASM.	1
4	10011632	安全板座	SAFETY PLATE INSTALLING BASE	1
5	10011636	安全板	SAFETY PLATE	1
6	10004725	安全板架	SAFETY PLATE INSTALLING PLATE	1
7	10011678	弹簧	SPRING	1
8	10002880	销	PIN	1
9	10004507	螺母	NUT	1
10	10011570	螺钉	SCREW	2
11	10011570	螺钉	SCREW	2
12	10011680	垫圈	WASHER	2
13	10011677	螺钉轴	HINGE SCREW	1
14	10011633	销	PIN	1
15	10011682	螺母	NUT	1
16	20009052	油脂软膏	GREASE	1
17	10011749	机头支承杆	HEAD SUPPORT BAR	1
18	10005356	油壶	OILER	1
19	10011681	油杯	OIL CAN	1
20	10011683	油杯座	OIL MANAGEMENT	1
21	10003157	螺钉	SCREW	8
22	10010994	大螺丝刀	SCREW DRIVER LARGE	1
23	10010995	中螺丝刀	SCREW DRIVER MIDDLE	1
24	10013185	小螺丝刀	SCREW DRIVER SMALL	1
25	10003368	呆扳手	WRENCH	1
26	10009685	内六角扳手3	HEXAGONAL WRENCH SMALL	1
27	10009687	内六角扳手4	HEXAGONAL WRENCH LARGE	1
28	10009689	内六角扳手5	HEXAGONAL SPANNER	1
29	10023286	机针	NEEDLE	1
30	10004592	梭芯	BOBBIN	1
31	10003369	呆扳手	WRENCH	1
32	10011160	支撑固定架	BED HINGE	2
33	10011137	机头胶垫	HINGE RUBBER	2
34	10014251	机头胶垫底座	BED HINGE RUBBER	2
35	10003076	垫圈	WASHER	4
36	10011747	垫片	WASHER	4
37	10003084	螺母	NUT	4
38	10011147	螺栓	SCREW	4
39	10011501	定刀	FIXING KNIFE	1
40	10004455	油箱	OIL BOX	1
41	10013102	机头座垫	SUPPORT RUBBER	2
42	10011136	橡胶塞	RUBBER PLUG	4
43	10062667	油盘	OIL TRAY	1
44	10054942	使用说明书	INSTRUCTIONS	1
45	10054943	零件手册	PARTS LIST	1
46	10011142	螺钉 SM11/64"×40 L=6	SCREW SM11/64"×40 L=6	1
47	10011918	硅油盒过线架	THREAD GUIDE SPRING	1
48	10011920	硅油盒	SOLICONE OIL BOX	1
49	10011917	螺钉 SM15/64"×40	SCREW SM15/64"×28	1
50	10011919	毛毡	OIL FELT	1
51	10039203	挑线簧	SPRING	1
52	10006185	油杯组件	OILER ASM	1
53	10004646	小针板 (φ 1.6)	NEEDLE HOLE GUIDE	1

# 11.1900D SERIES COMPONENTS

1900D系列机零件

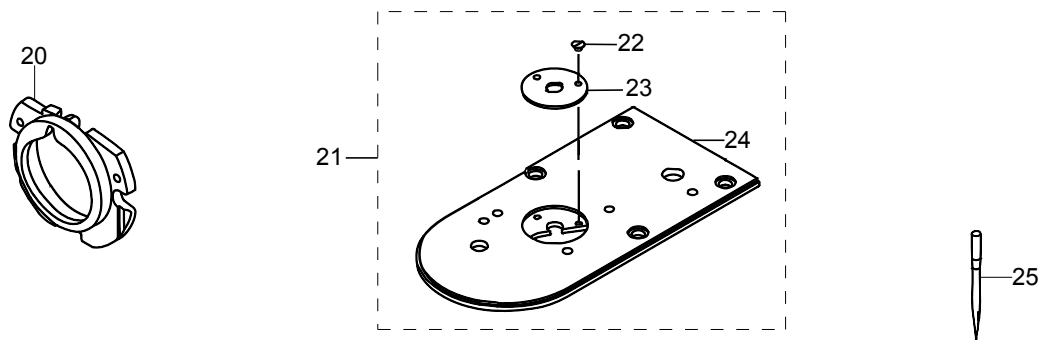
**1900DHS:HEAVY MATERIAL(H)**

1900DHS: 厚料



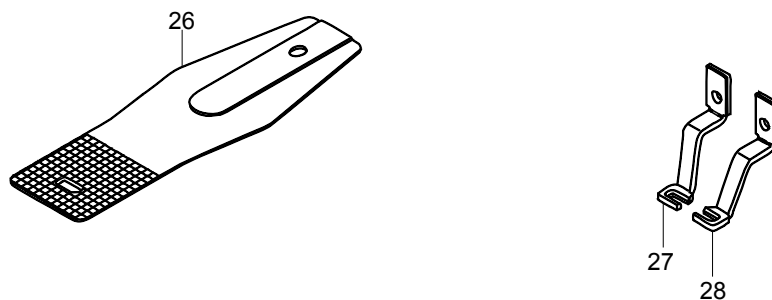
**1900DFS:UNDERWEAR(F) & 1900DMS:KNITTING(M)**

1900DFS: 内衣料 与 1900DMS: 针织料



**1900DMS:KNITTING(M)**

1900DMS: 针织料



### 11、1900D系列机零件1900D SERIES PARTS

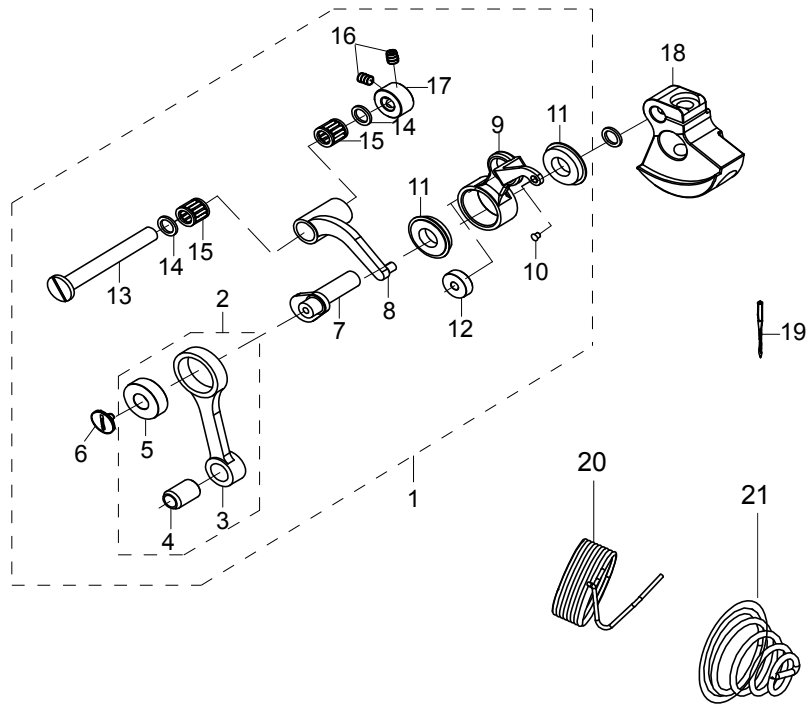
序号 Ref.No.	件号 Part No.	名 称	Description	数量 QTY
1	10024626	针板组件	NEEDLE PLATE ASM.	1
2	10011509	螺钉	SCREW	2
3	10004727	小针板	NEEDLE HOLE GUIDE	1
4	10008027	针板	NEEDLE PLATE	1
5	10011748	定刀	FIXING KNIFE	1
6	10011694	动刀分组件	MOVING KNIFE ASM.	1
7	10007183	垫圈	WASHER	1
8	10007361	垫圈	WASHER	1
9	10007362	垫圈	WASHER	1
10	10007363	垫圈	WASHER	1
11	10004897	机针 DP×17 19#	NEEDLE DP×17 19#	1
12	10011751	送料板	FEED PLATE	1
13	10011687	左压脚	WORK CLAMP FOOT, LEFT	1
14	10011691	右压脚	WORK CLAMP FOOT, RIGHT	1
15	10011695	护手圈	FINGER GUARDE	1
16	10031317	梭床盖组件	SHUTTLE BACE RING ASM.	1
17	10003834	旋梭	INNER HOOK	1
18	10037427	弹簧	SPRING	1
19	10011827	弹簧	SPRING	1
20	10011760	梭床盖组件	SHUTTLE BACE RING ASM.	1
21	10026087	针板组件	NEEDLE PLATE ASM.	1
22	10011509	螺钉	SCREW	2
23	10011757	小针板	NEEDLE HOLE GUIDE	1
24	10008027	针板	NEEDLE PLATE	1
25	10004857	机针 DP×5 11#	NEEDLE DP×5 11#	1
26	10011755	送料板	FEED PLATE	1
27	10011758	左压脚	WORK CLAMP FOOT, LEFT	1
28	10011759	右压脚	WORK CLAMP FOOT, RIGHT	1

## 12.1903D-301 PARTS 1

1903D-301 零件1

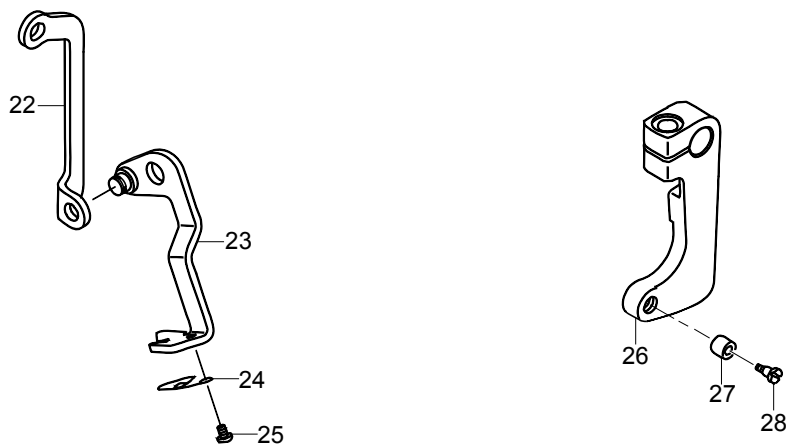
### MAIN SHAFT & NEEDLE BAR COMPONENTS

挑线刺布部件



### WIPER MECHANISM COMPONENTS

拨线部件



12、1903D-301零件1 1903D-301 PARTS 1

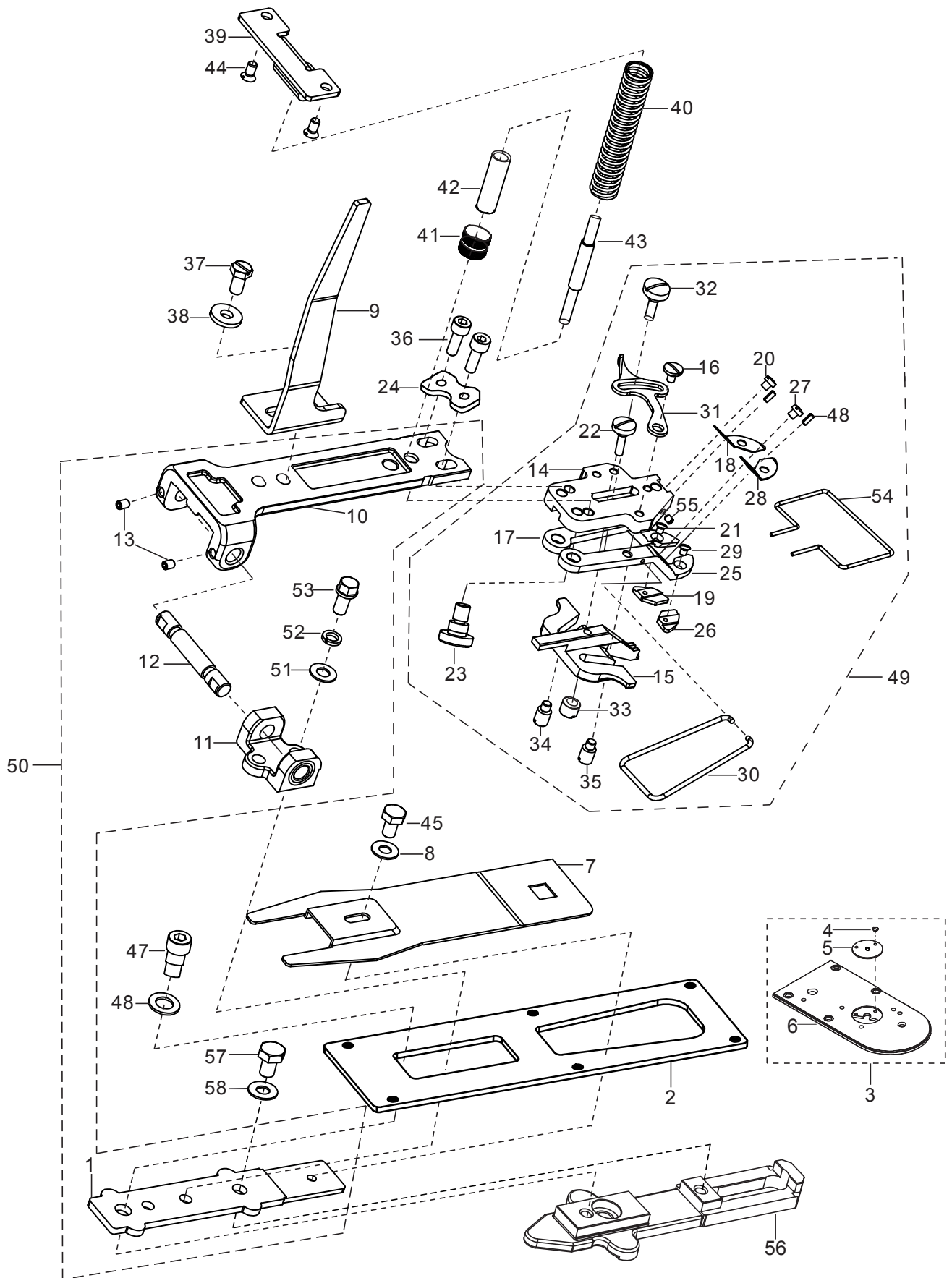
序号 Ref.No.	件号 Part No.	名 称	Description	数量 QTY
1	10052059	挑线杆组件	THEAD TAKE-UP COMPL	1
2	10007983	针杆连杆组件	NEEDLE BAR CRANK ROD ASM.	1
3	10007986	针杆连杆	NEEDLE BAR CRANK ROD	1
4	10005793	针杆连杆轴套	NEEDLE BAR CRANK ROD METAL	1
5	10009777	轴承	BEARING	1
6	10010537	螺钉	SCREW	1
7	10023931	挑线曲柄	NEEDLE BAR CRANK	1
8	10052056	挑线连杆	THREAD TAKE-UP CRANK	1
9	10023930	挑线杆	THREAD TAKE-UP LEVER	1
10	10004161	挑线杆过线套	THREAD PASS BUSH	1
11	10051399	轴承	BEARING	2
12	10003529	轴承	BEARING	1
13	10007984	挑线杆铰链轴	BALANCE CRANK PIN	1
14	10005786	挡圈	THRUST COLLAR	2
15	10005747	轴承	BEARING	2
16	10004482	螺钉	SCREW	2
17	10005745	挡圈	RETAINING COLLAR	1
18	10023932	针杆曲柄	COUNTER EIGHT	1
19	10023288	机针	NEEDLE	1
20	10037427	弹簧	SPRING	1
21	10004626	弹簧	SPRING	1
22	10023928	扫线拉杆	WIPER LINK	1
23	10023927	扫线杆组件	WIPER ASM.	1
24	10011706	弹簧	SPRING	1
25	10011714	螺钉	SCREW	2
26	10037834	扣夹抬压曲柄	CONNECTING ARM	1
27	10037835	抬压曲柄滚子	CONNECTING ARM SLEEVE	1
28	10011707	螺钉	SCREW	1

# 13.1903D-301 PARTS 2

1903D-301零件2

## FEED MECHANISM COMPONENTS

送料部件





## 13.1903D-301 PARTS 2

序号 Ref.No.	件号 Part No.	名称	Description	数量 QTY
1	10047339	送料板座	CLOTH FEED PLATE	1
2	10063067	盖板	FEED PLATE PRESSER	1
3	10026088	针板组件	NEEDLE PLATE ASM.	1
4	10011509	螺钉	SCREW	2
5	10011133	小针板	NEEDLE HOLE GUIDE	1
6	10008027	针板	NEEDLE PLATE	1
7	10011844	送料板	PRESSURE PLATE	1
8	10011820	垫圈	WASHER	1
9	10047343	抬压挡板	MOVING PLATE	1
10	10047338	扣夹座	BUTTON FOOT	1
11	10047340	扣夹支承座	BUTTON INSTALLING BASE	1
12	10047341	扣夹座铰轴	BUTTON FOOT INSTALLING SHAFT	1
13	10000563	螺钉	SCREW	2
14	10032294	压脚连接座	PICK-UP FOOT INSTALLING BASE	1
15	10032295	压脚导向座	BUTTON CLAMP SLIDE	1
16	10011559	螺钉	SCREW	1
17	10032434	右压脚座	SMALL CLAMP JAW LEVER ASM. L	1
18	10032301	纽扣右定位板	SPRING, RIGHT	1
19	10032299	右压脚	PLATE K, R	1
20	10011525	螺钉	SCREW	1
21	10011537	螺钉	SCREW	1
22	10011818	螺钉	SCREW	1
23	10011539	螺钉	SCREW	2
24	10011761	抬压挡板座压板	PRESSER PLATE	2
25	10032433	左压脚座	SMALL CLAMP JAW LEVER , L	1
26	10032298	左压脚	PLATE K, L	1
27	10011525	螺钉	SCREW	1
28	10032300	纽扣左定位板	SPRING, LEFT	1
29	10011537	螺钉	SCREW	1
30	10011536	弹簧	SPRING	1
31	10011524	压脚调节扳手	SNAP FASTENER CLAMP STOP LEVER	1
32	10013564	螺钉	SCREW	1
33	10011522	螺母	NUT	1
34	10032296	压脚座导向柱A	BUTTON CLAMP STOP PIN A	1
35	10032297	压脚座导向柱B	BUTTON CLAMP STOP PIN B	1
36	10009818	螺钉	SCREW	2
37	10011828	螺钉	SCREW	2
38	10011821	垫圈	WASHER	2
39	10023934	压脚导杆导板	ACCEPT PLATE, UPPER	1
40	10011593	弹簧	SPRING	1
41	10011526	螺母	NUT	2
42	10011528	压脚导杆套	SLEEVE	1
43	10011519	压脚导杆	ADJUSTING SHAFT	1
44	10011559	螺钉	SCREW	2
45	10011832	螺钉	SCREW	1
46	10014394	垫圈	WASHER	1
47	10047345	螺钉	SCREW	1
48	10032403	销	PIN	2
49	10032432	扣夹分组件	BUTTON CLAMP ASM.	1
50	10047337	扣夹座分组件	BUTTON FOOT CLAMP ASM.	1
51	10011646	垫圈	WASHER	2
52	10003077	垫圈	WASHER	2
53	10047342	螺钉	SCREW	2
54	10047342	手指保护器	FINGER GUARDE	1
55	10047342	螺钉	SCREW	2
56	10047346	送料托架	CLOTH FEED PLATE	1
57	10000809	螺钉 M6 L=10	SCREW M6 L=10	1
58	10011646	垫圈 $\phi 6.5 \times \phi 13 \times 0.8$	WASHER $\phi 6.5 \times \phi 13 \times 0.8$	1